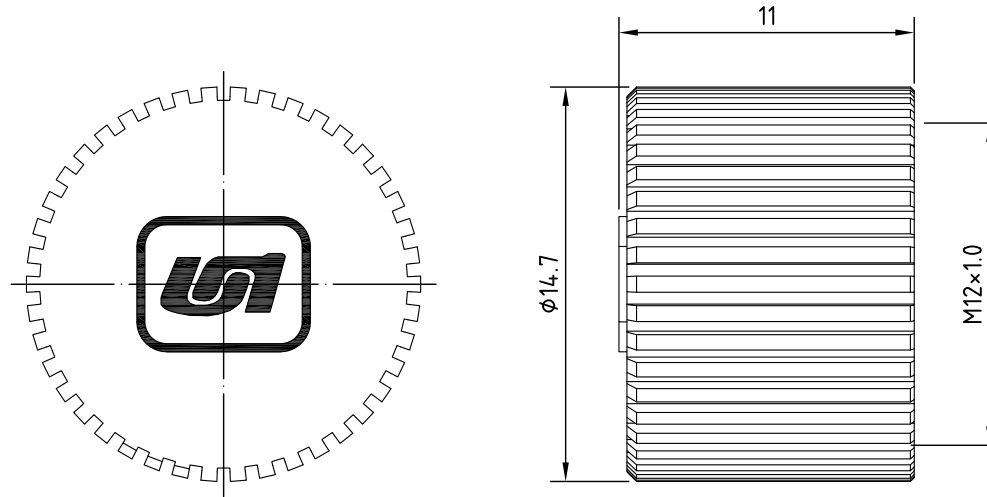


REV.	Description	Date
1	upgrade drawing	2011/9/13



※Operating temperature: -40°C to 90°C

RoHS
TOLERANCE X±0.5 .X±0.3

2	Pad	Rubber
1	Cap	PA
Item	Description	Material&Plating



Unicable Co., Ltd. 國陽電業有限公司

5F., No. 111-33, Sec. 4, San Ho Road., San Chung Dist., New Taipei City, Taiwan
http://www.unicable.com.tw Tel:+886-2-2286-2122 Fax:+886-2-2286-1010

DATE	2016/10/7	PART NO.	UT-170C
DWN	GINA	REV.	1
CHK			
UNIT	MM		

ITEM	Waterproof Cap
------	----------------